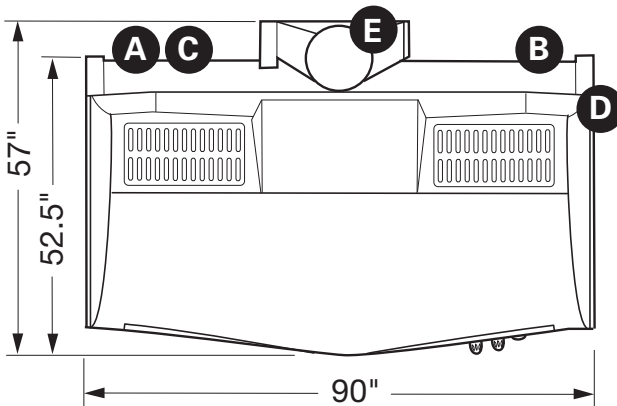
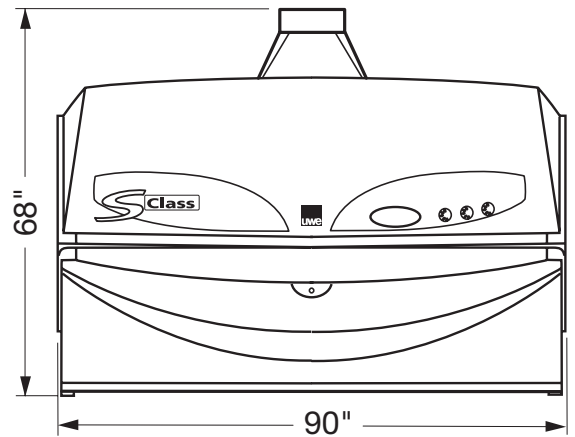
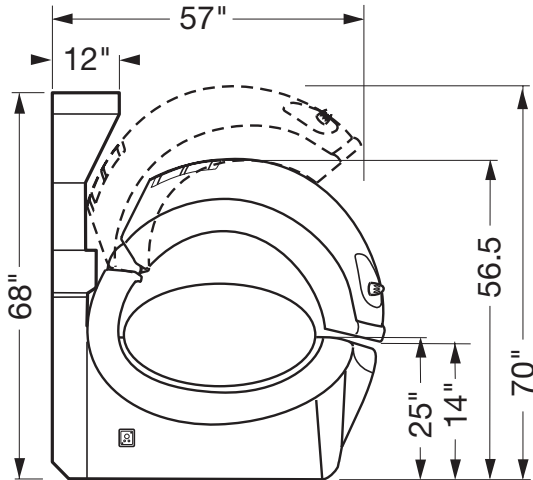


Dimensions & Specifications

S Class FOOTPRINT

1040 Wilt Avenue
Ridgefield, NJ 07657
1 800 FAST TAN
(1 800 327 8826)
pcmarketinguwe.com



- A Hardwired Electrical Connection Location:**
Three phase, 230 Volt, 60 AMP Breaker, 6 gauge wire.
- B Hardwired Electrical Connection Location:**
Single phase 120 Volt, 15 AMP Breaker A/C Connection & Breeze.
- C Timer Connection Location:**
Cord provided will hook-up to T-Max 3A as shown.
- D RCA Jack Connection:**
These are used for line signal of music source, amplifier onboard.
- E Exhaust Duct Location:**
12" Ducting through top of unit in rear. Ducting kit provided with unit. Hose or hard duct provided by customer.